



# FMP0417CAx-W70E

## Customer

- Do not leave this document unattended.
- All information contained within this document is covered by the non-discloser agreement.
- Do not reproduce this document.
- This document is Fidelix Co., Ltd. property and it can be required to be returned at any time.

Fidelix Co., Ltd.

**Document Title**

256K x 16 bit Super Low Power and Low Voltage Full CMOS RAM

**Revision History**

Revision No.	History	Draft date	Remark
0.0	Generated new datasheet	Feb.21 <sup>st</sup> , 2008	Preliminary

**256K x 16 bit Super Low Power and Low Voltage Full CMOS RAM**

**FEATURES**

- Process Technology : Full CMOS
- Organization : 256K x 16
- Power Supply Voltage : 2.7~3.3V
- Three state output and TTL Compatible
- Separated I/O power(VCCQ) & Core power(VCC)
- Automatic power-down when deselected

- Low Power & Page Modes  
 FMP0417CA1 : support the PASR/DPD function  
 FMP0417CA2 : support the Direct DPD function  
 FMP0417CA4 : support the PASR/DPD/PAGE function  
 FMP0417CA5 : support the Direct DPD/PAGE function
- Page read/write operation by 16 words  
 (FMP0417CA4, FMP0417CA5)
- DPD mode by using MRS only  
 (FMP0417CA1, FMP0417CA4)
- Direct DPD mode when /ZZ goes low  
 (FMP0417CA2, FMP0417CA5)

**PRODUCT FAMILY**

Product Family	Operating Temperature	Operating Voltage (V)			Speed	Power Dissipation					
						ICC1		ICC2		ISB1 (CMOS Standby Current)	
		Min.	Typ.	Max.		f = 1MHz		f = fmax			
						Typ.	Max.	Typ.	Max.	Typ.	Max.
FMP0417CAx-W70E	Extended (-25~85°C)	2.7	3.0	3.3	70ns	1.5mA	3mA	15mA	25mA	30uA	70uA

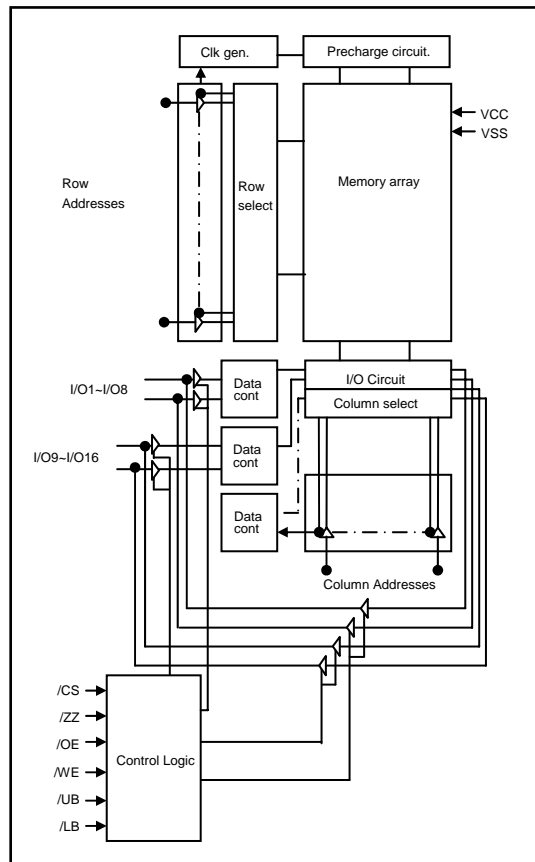
1. Typical values are included for reference only and are not guaranteed or tested. Typical values are measured at Vcc = Vcc (typ) and T<sub>A</sub> = 25C.

2. F=FBGA, G=FBGA(Pb-Free), H=FBGA(Pb-Free & Halogen Free), W=WAFER

**PIN DESCRIPTION**

Name	Function	Name	Function
/ZZ	Low Power Modes	VCC	Core Power
/CS	Chip Select Input	VCCQ	I/O Power
/OE	Output Enable Input	VSS	Ground
/WE	Write Enable Input	/UB	Upper Byte(I/O9~16)
A0~A17	Address Inputs	/LB	Lower Byte(I/O 1~8)
I/O1~I/O16	Data Inputs/Outputs	DNU	Do Not Use

**FUNCTIONAL BLOCK DIAGRAM**



PRODUCT LIST

Extended Temperature Products(-25~85°C)	
Part Name	Function
FMP0417CAx-W70E	Wafer, 70ns, VCC=3.0V, VCCQ=3.0V

1. F=FBGA, G=FBGA(Pb-Free), H=FBGA(Pb-Free & Halogen Free), W=WAFER

FUNCTIONAL DESCRIPTION

/CS	/ZZ	/OE	/WE	/LB	/UB	/O1-8	/O9-16	Mode	Power
H	H	X <sup>1)</sup>	X <sup>1)</sup>	X <sup>1)</sup>	X <sup>1)</sup>	High-Z	High-Z	Deselected	Standby
X <sup>1)</sup>	L	X <sup>1)</sup>	X <sup>1)</sup>	X <sup>1)</sup>	X <sup>1)</sup>	High-Z	High-Z	Deselected	Direct DPD <sup>2)</sup>
H	L	X <sup>1)</sup>	X <sup>1)</sup>	X <sup>1)</sup>	X <sup>1)</sup>	High-Z	High-Z	Deselected	Low Power Modes <sup>3)</sup>
X <sup>1)</sup>	H	X <sup>1)</sup>	X <sup>1)</sup>	H	H	High-Z	High-Z	Deselected	Standby
L	H	H	H	L	X <sup>1)</sup>	High-Z	High-Z	Output Disabled	Active
	H	H	H	X <sup>1)</sup>	L	High-Z	High-Z	Output Disabled	Active
L	H	L	H	L	H	Dout	High-Z	Lower Byte Read	Active
				H	L	High-Z	Dout	Upper Byte Read	Active
				L	L	Dout	Dout	Word Read	Active
		X <sup>1)</sup>	L	L	H	Din	High-Z	Lower Byte Write	Active
				H	L	High-Z	Din	Upper Byte Write	Active
				L	L	Din	Din	Word Write	Active

1. X means don't care.(Must be low or high state)  
 2. In case of FMP0417CA2 & FMP0417CA5 product  
 3. In case of FMP0417CA1 & FMP0417CA4 product

ABSOLUTE MAXIMUM RATINGS<sup>1)</sup>

Item	Symbol	Ratings	Unit
Voltage on any pin relative to Vss	VIN, VOUT	-0.2 to Vcc+0.3V	V
Voltage on Vcc supply relative to Vss	Vcc	-0.2 to 3.6	V
Power Dissipation	PD	1.0	W
Storage temperature	TSTG	-65 to 150	°C
Operating Temperature	TA	-25 to 85	°C

1. Stresses greater than those listed under "Absolute Maximum Ratings" may cause permanent damage to the device. Functional operation should be restricted to recommended operating condition. Exposure to absolute maximum rating conditions for Industrial periods may affect reliability.

RECOMMENDED DC OPERATING CONDITIONS<sup>1)</sup>

Item	Symbol	FMP0417CAx		Unit
		Min	Max	
Supply voltage	VCC	2.7	3.3	V
I/O operating voltage	VCCQ	2.7	3.3	V
Ground	VSS	0	0	V
Input high voltage	VIH	0.8VCCQ	VCC+0.2 <sup>2)</sup>	V
Input low voltage	VIL	-0.2 <sup>3)</sup>	0.2VCCQ	V

Note :  
 1.TA=-25 to 85°C, otherwise specified.  
 2. Overshoot : Vcc+1.0V in case of pulse width≤20ns.  
 3. Undershoot : -1.0V in case of pulse width≤20ns.  
 4. Overshoot and undershoot are sampled, not 100% tested.

**CAPACITANCE**<sup>1)</sup> (f=1MHz, T<sub>A</sub>=25°C)

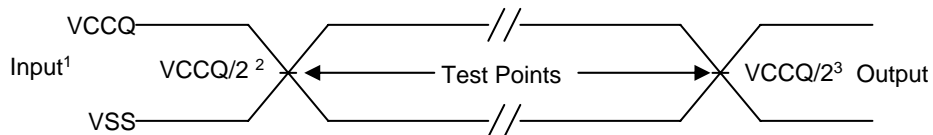
Item	Symbol	Test Condition	Min	Max	Unit
Input capacitance	C <sub>IN</sub>	V <sub>IN</sub> =0V	-	8	pF
Input/Output capacitance	C <sub>IO</sub>	V <sub>IO</sub> =0V	-	8	pF

1. Capacitance is sampled, not 100% tested.

**DC AND OPERATING CHARACTERISTICS**

Item	Symbol	Test Conditions	Min	Typ	Max	Unit
Input leakage current	I <sub>LI</sub>	V <sub>IN</sub> =V <sub>SS</sub> to V <sub>CC</sub>	-1	-	1	uA
Output leakage current	I <sub>LO</sub>	/CS=V <sub>IH</sub> , /ZZ=V <sub>IH</sub> , /OE=V <sub>IH</sub> or /WE=V <sub>IL</sub> , V <sub>IO</sub> =V <sub>SS</sub> to V <sub>CC</sub>	-1	-	1	uA
Average operating current	I <sub>CC1</sub>	Cycle time=1us, 100%duty, I <sub>IO</sub> =0mA, /CS≤0.2V, /ZZ=V <sub>IH</sub> , V <sub>IN</sub> ≤0.2V or V <sub>IN</sub> ≥V <sub>CC</sub> -0.2V	-	1.5	3	mA
	I <sub>CC2</sub>	Cycle time=Min, I <sub>IO</sub> =0mA, 100% duty, /CS=V <sub>IL</sub> , /ZZ=V <sub>IH</sub> , V <sub>IN</sub> =V <sub>IL</sub> or V <sub>IH</sub>	-	15	25	mA
Output low voltage	V <sub>OL</sub>	I <sub>OL</sub> =0.5mA			0.2V <sub>CCQ</sub>	V
Output high voltage	V <sub>OH</sub>	I <sub>OH</sub> =-0.5mA	0.8V <sub>CCQ</sub>			V
Standby Current(TTL)	I <sub>SB</sub>	/CS=V <sub>IH</sub> , /ZZ=V <sub>IH</sub> , Other inputs=V <sub>IH</sub> or V <sub>IL</sub>	-	-	0.3	mA
Standby Current(CMOS)	I <sub>SB1</sub>	/CS≥V <sub>CC</sub> -0.2V, /ZZ≥V <sub>CC</sub> -0.2V, Other inputs=0~V <sub>CC</sub>	-	-	70	uA
Low Power Modes	I <sub>SB0</sub>	/ZZ≤0.2V, Other inputs=0~V <sub>CC</sub> , No refresh(DPD)	-	-	10	uA
	I <sub>SB0a</sub>	/ZZ≤0.2V, Other inputs=0~V <sub>CC</sub> , ¼ refresh area selection	-	-	55	uA
	I <sub>SB0b</sub>	/ZZ≤0.2V, Other inputs=0~V <sub>CC</sub> , ½ refresh area selection	-	-	60	uA
	I <sub>SB0c</sub>	/ZZ≤0.2V, Other inputs=0~V <sub>CC</sub> , All refresh area selection	-	-	70	uA

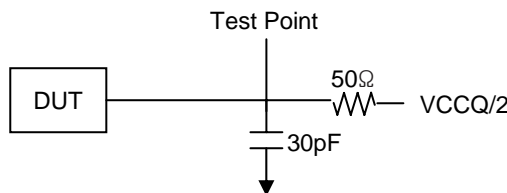
**AC Input/Output Reference Waveform**



NOTE:

1. AC test inputs are driven at V<sub>CCQ</sub> for a logic 1 and V<sub>SS</sub> for a logic 0. Input rise and fall times (10% to 90%) < 1.6ns.
2. Input timing begins at V<sub>CCQ</sub>/2.
3. Output timing ends at V<sub>CCQ</sub>/2.

**AC Output Load Circuit**



**AC CHARACTERISTICS**(VCC=2.7V~3.3V, Extended product : TA=-25 to 85°C)

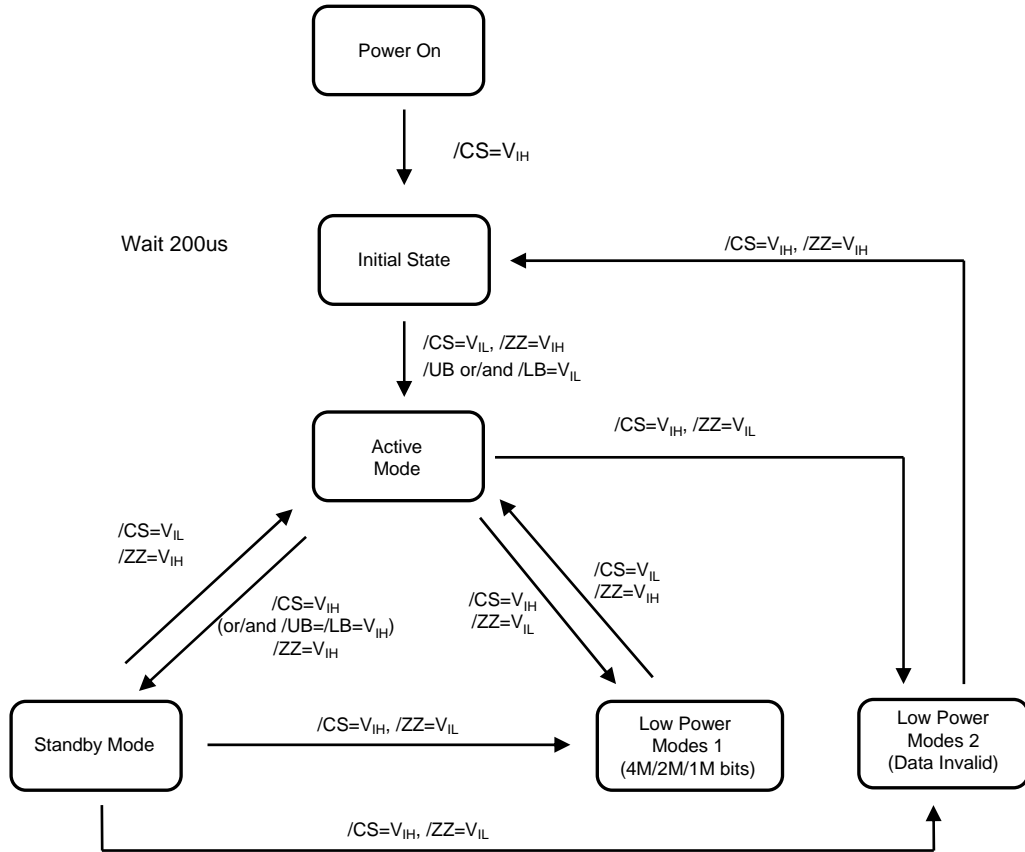
Parameter List		Symbol	70ns		Units
			Min	Max	
Read	Read Cycle Time	tRC	70	20K	ns
	Address Access Time	tAA	-	70	ns
	Chip Select to Output	tCO	-	70	ns
	Output Enable to Valid Output	tOE	-	25	ns
	/UB, /LB Access Time	tBA	-	70	ns
	Chip Select to Low-Z Output	tLZ	10	-	ns
	/UB, /LB Enable to Low-Z Output	tBLZ	10	-	ns
	Output Enable to Low-Z Output	tOLZ	5	-	ns
	Chip Disable to High- Z Output	tHZ	0	5	ns
	/UB, /LB Disable to High- Z Output	tBHZ	0	5	ns
	Output Disable to High- Z Output	tOHZ	0	5	ns
Output Hold from Address Change	tOH	5	-	ns	
Write	Write Cycle Time	tWC	70	20K	ns
	Chip Select to End of Write	tCW	60	-	ns
	Address Set-up Time	tAS	0	-	ns
	Address Valid to End of Write	tAW	60	-	ns
	/UB, /LB Valid to End of Write	tBW	60	-	ns
	Write Pulse Width	tWP	50	-	ns
	Write Recovery Time	tWR	0	-	ns
	Write to Output High-Z	tWHZ	0	5	ns
	Data to Write Time Overlap	tDW	20	-	ns
	Data Hold from Write Time	tDH	0	-	ns
	End Write to Output Low-Z	tOW	5	-	ns
Page	Page Mode Cycle Time	tPC	25	-	ns
	Page Mode Address Access Time	tPAA	-	25	ns
	Maximum Cycle Time	tMRC	-	20k	ns
/CS High Pulse Width <sup>1)</sup>		tCP	10	-	ns

1. /CS High Pulse Width is defined by /CS or (/UB and /LB) because /UB & /LB can make standby mode when /UB=High and /LB=High.

**Power Up Sequence**

1. Apply Power
2. Maintain stable power for a minimum of 200us with /CS=VIH

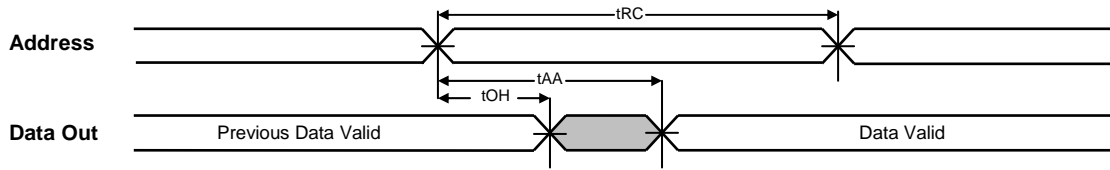
**Standby Mode State Machines**



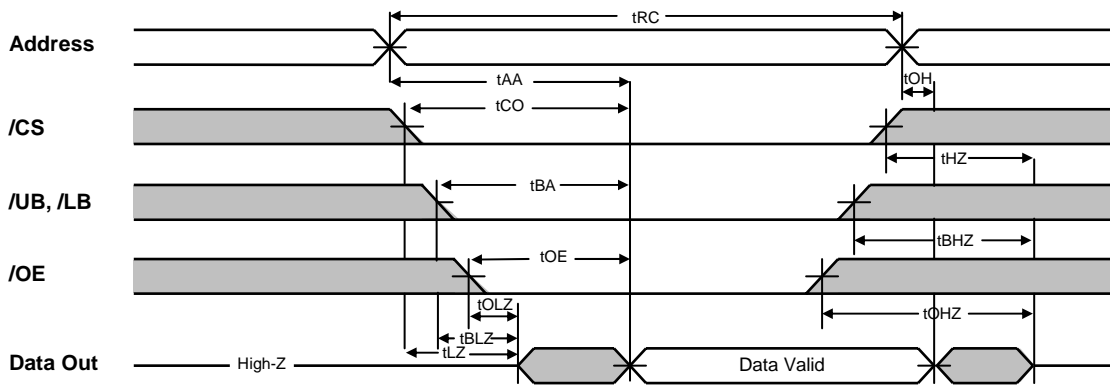
**Standby Mode Characteristics**

Mode	Memory Cell Data	Standby Current(uA)	Wait Time(us)
Standby	Valid	70 (I <sub>SB1</sub> )	0
Low Power Modes	Invalid	10 (I <sub>SB0</sub> )	200
	¼ valid	55 (I <sub>SB0a</sub> )	0
	½ valid	60 (I <sub>SB0b</sub> )	0
	valid	70 (I <sub>SB0c</sub> )	0

**READ CYCLE (1)** (Address controlled, /CS=/OE=VIL, /ZZ=/WE=VIH, /UB or/and /LB=VIL)

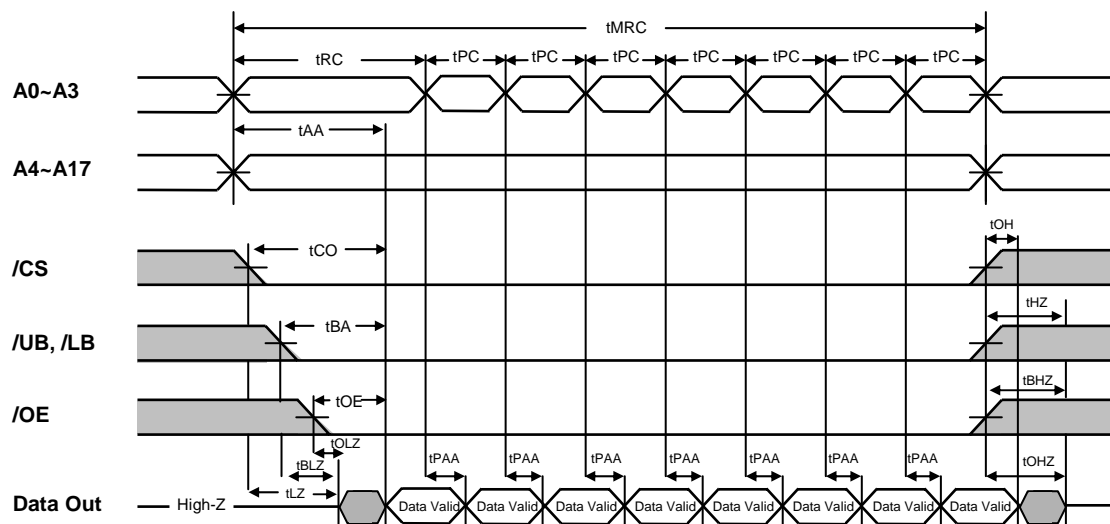


**READ CYCLE (2)** (/ZZ=/WE=VIH)



1. tHZ and tOHZ are defined as the time at which the outputs achieve the open circuit conditions and are not referenced to output voltage levels.
2. At any given temperature and voltage condition, tHZ(Max.) is less than tLZ(Min.) both for a given device and from device to device interconnection.
3. Do not access device with cycle timing shorter than tRC(tWC) for continuous periods > 20us.

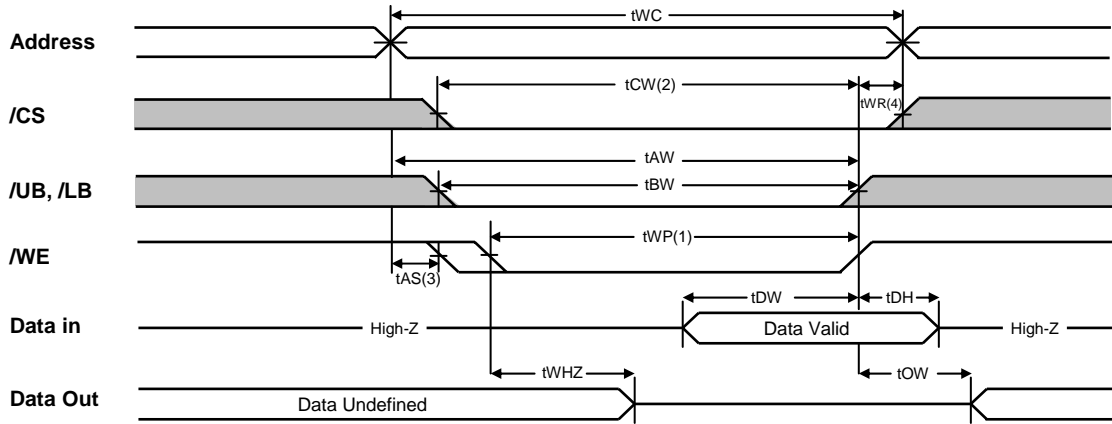
**PAGE READ CYCLE** (/ZZ=/WE=VIH, 16 words access)



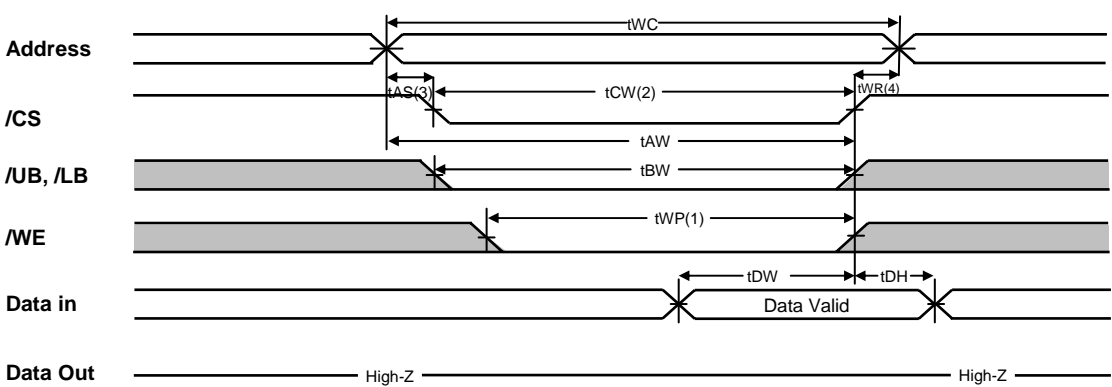
1. tHZ and tOHZ are defined as the time at which the outputs achieve the open circuit conditions and are not referenced to output voltage levels.
2. At any given temperature and voltage condition, tHZ(Max.) is less than tLZ(Min.) both for a given device and from device to device interconnection.
3. Do not access device with cycle timing shorter than tRC(tWC) for continuous periods > 20us.
4. In case page address skew is over 3ns, tPAA will be out of spec.



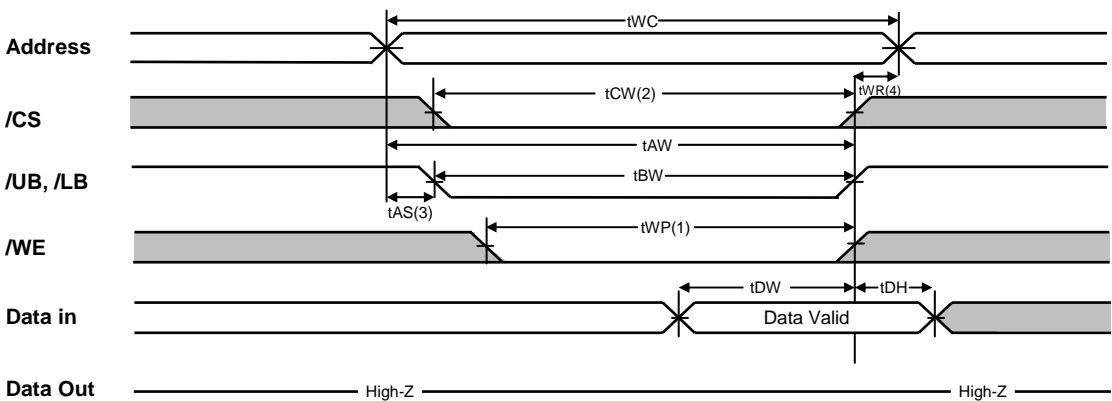
**WRITE CYCLE (1)** (*/WE* controlled, */ZZ=VIH*)



**WRITE CYCLE (2)** (*/CS* controlled, */ZZ=VIH*)

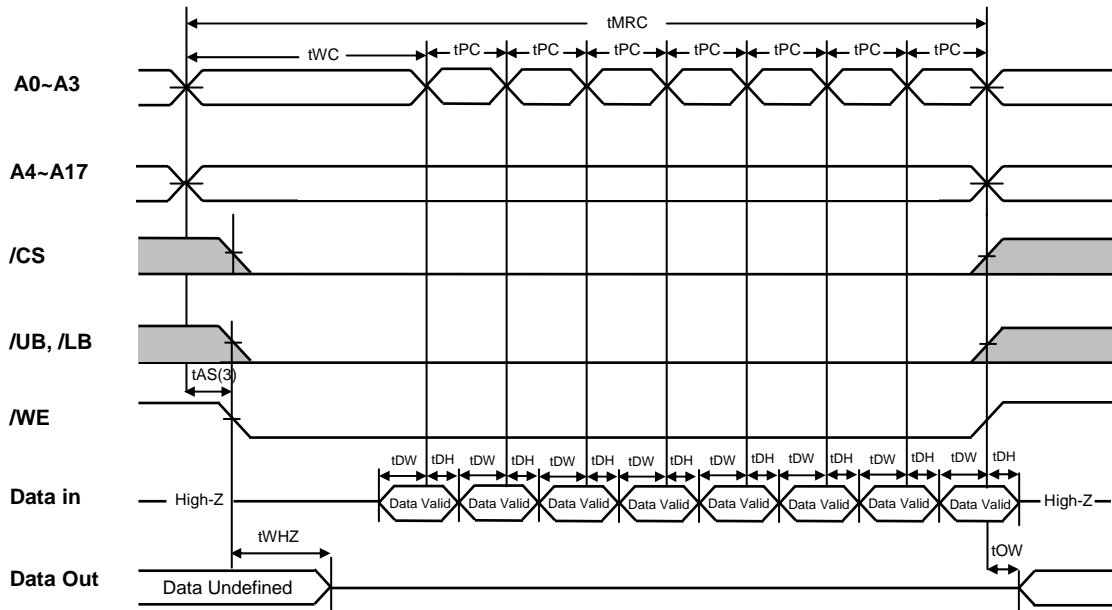


**WRITE CYCLE (3)** (*/UB, /LB* controlled, */ZZ=VIH*)



1. A write occurs during the overlap ( $t_{WP}$ ) of low */CS* and */WE*. A write begins when */CS* goes low and */WE* goes low with asserting */UB* or */LB* for single byte operation or simultaneously asserting */UB* and */LB* for double byte operation. A write ends at the earliest transition when */CS* goes high and *WE* goes high. The  $t_{WP}$  is measured from the beginning of write to the end of write.
2.  $t_{CW}$  is measured from the */CS* going low to end of write.
3.  $t_{AS}$  is measured from the address valid to the beginning of write.
4.  $t_{WR}$  is measured from the end of write to the address change.  $t_{WR}$  applied in case a write ends as */CS* or */WE* going high.
5. Do not access device with cycle timing shorter than  $t_{RC}(t_{WC})$  for continuous periods > 20 $\mu$ s.

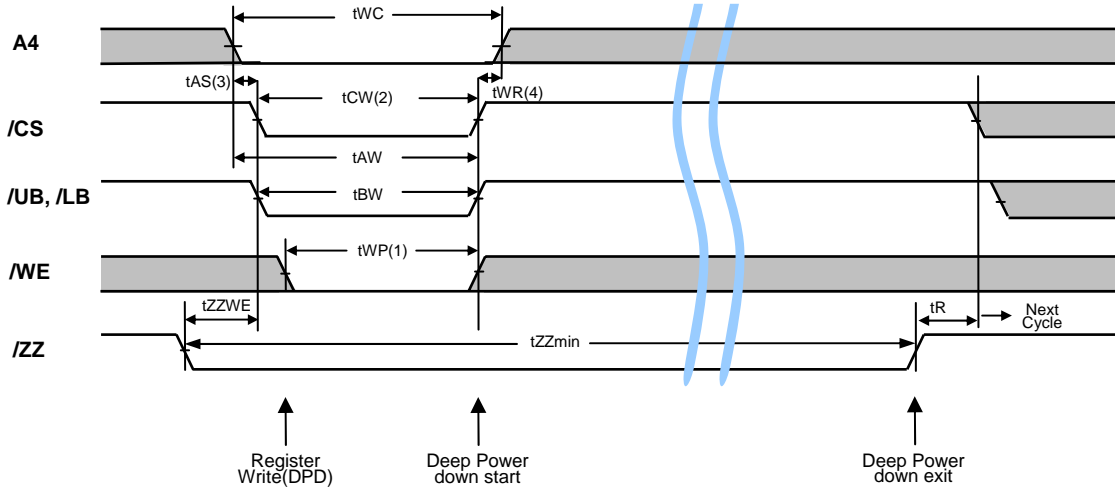
PAGE WRITE CYCLE (Address controlled, /ZZ=VIH)



1. A write occurs during the overlap (tWP) of low /CS and /WE. A write begins when /CS goes low and /WE goes low with asserting /UB or /LB for single byte operation or simultaneously asserting /UB and /LB for double byte operation. A write ends at the earliest transition when /CS goes high and /WE goes high. The tWP is measured from the beginning of write to the end of write.
2. tWC is measured from the /CS going low to end of write.
3. tAS is measured from the address valid to the beginning of write.
4. tWR is measured from the end of write to the address change. tWR applied in case a write ends as /CS or /WE going high.
5. Do not access device with cycle timing shorter than tRC(tWC) for continuous periods > 20us.
6. In case page address is over 3ns, write to the invalid address can occur.



3. Deep Power Down Mode Entry/Exit



Parameter	Description	Min	Max	Units
tZZWE	ZZ low to Write Enable Low	0	1	us
tR(Deep Power Down Mode only)	Operation Recovery Time	200	-	us
tZZmin	Low Power Mode Time	10	-	us

4. Address Information

Partial Array Refresh Mode (A3=0, A4=1)

A2	A1,A0	Refresh Section	Address	Size	Density
0	11	1/4	00000h-0FFFFh	64Kbx16	1Mb
0	10	1/2	00000h-1FFFFh	128Kbx16	2Mb
X	00	Full	00000h-3FFFFh	256Kbx16	4Mb
1	11	1/4	30000h-3FFFFh	64Kbx16	1Mb
1	10	1/2	20000h-3FFFFh	128Kbx16	2Mb

Reduced Memory Size Mode (A3=1, A4=1)

A2	A1,A0	Refresh Section	Address	Size	Density
0	11	1/4	00000h-0FFFFh	64Kbx16	1Mb
0	10	1/2	00000h-1FFFFh	128Kbx16	2Mb
1	11	1/4	30000h-3FFFFh	64Kbx16	1Mb
1	10	1/2	20000h-3FFFFh	128Kbx16	2Mb